

E932 15AMP BATTERY CHARGER 24V – 12V (26V Turn On)

24V TO 12V BATTERY CHARGER 15AMP *Charge a 12V Battery from a 24V Battery System*
 HIGH SPECIFICATION
 MANUFACTURED IN THE UK

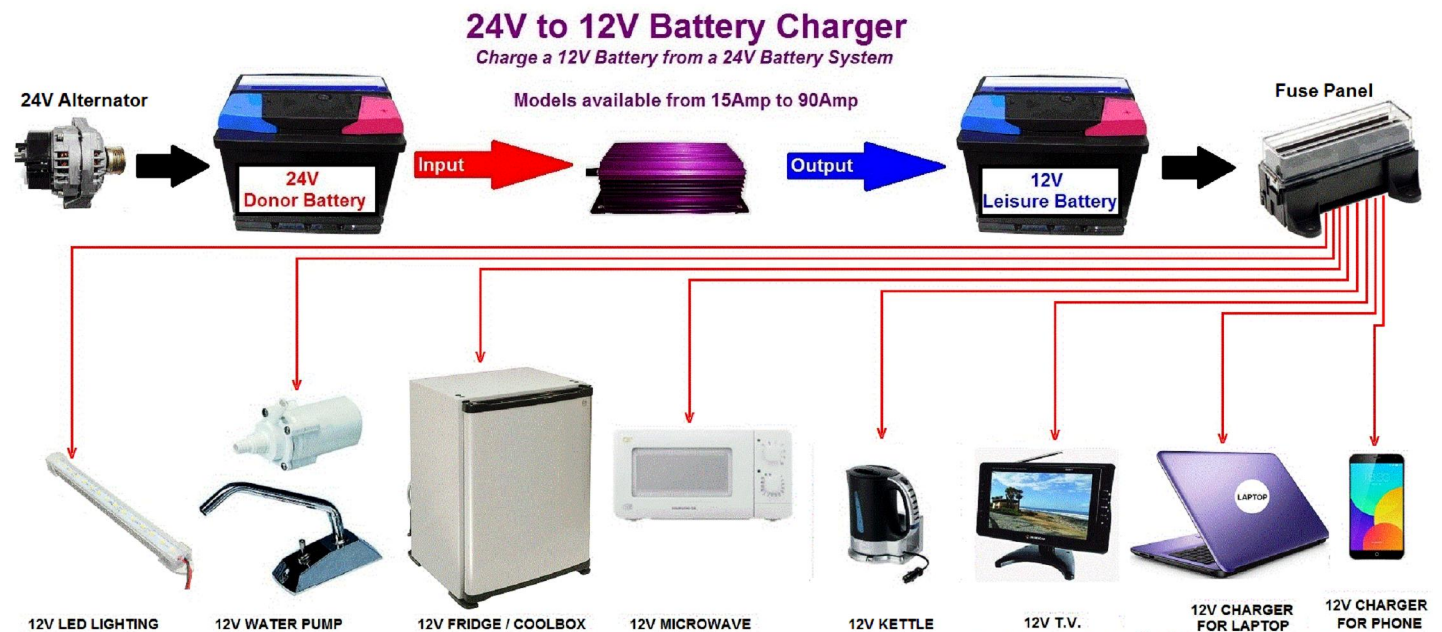
THE BROWN CONTROL LEAD GIVES YOU THE OPTION TO SWITCH THE BATTERY CHARGER ON AND OFF USING A STANDARD LOW CURRENT SWITCH.



- PART NO: E932
- TYPE: SWITCH MODE STEP DOWN BATTERY CHARGER
- CHARGING CURRENT: 15 AMP
- INPUT VOLTAGE: 18 TO 30V DC
- OUTPUT VOLTAGE: 14V DC
- CONTROL INPUT VOLTAGE (CVIN): CHARGER ENABLED: >26.5V DC / CHARGER DISABLED: < 25V DC
- OVERLOAD PROTECTION: YES
- POLARITY PROTECTED: EXTERNAL FUSE
- HIGH TEMP PROTECTED: YES
- SHORT CIRCUIT PROTECTION: YES
- EFFICIENCY: > 90%
- DIMENSIONS: 155mm X 70mm X 53mm
- FIXING CENTRES: 138mm X 40mm (4 HOLE FIXING)
- HOLE SIZE: 4.5mm
- WEIGHT: 447g
- CONSTRUCTION: ANODISED COOLING PROFILE

OEM AND TRADE ENQUIRIES WELCOME

MODELS ALSO AVAILABLE: 30A / 45A / 60A / 75A / 90A



WHY NOT VISIT OUR WEBSITES TO VIEW THE OTHER PRODUCTS WE MANUFACTURE:

<http://www.battery-management-voltage-converter.com>

This site covers our:

- Battery Management Systems
- Split Charge Controllers
- DC-DC Battery Chargers
- DC-DC Voltage Converters
- Trailer Voltage Converters
- Battery Status Indicators
- Voltage Sensitive Switches
- Digital Speed Switches
- Horsebox Electrics

<http://www.eurogroup-gb.com>

This site covers our Range of:

- Water Level Monitors
- Water Level Probes
- Temperature Monitors
- Temperature Probes
- Air Conditioning Fan Control Units
- Vehicle Flashers and Interrupters
- Light Control Units
- Oil Level Monitors
- Oil Level Probes

- Hydraulic Control Units
- Audible Warning Devices
- Reversing Alarms
- Timers
- Vehicle Safety & Security Units
- Digital Speed Switches
- Solenoid Controllers
- Relays, Connectors, Lamps, Switches
- Earth Straps
- Looms and Wiring Harnesses

EURO MANUFACTURING AND MARKETING LIMITED
 Euro Works, 11-13 High Street, Wem, Shropshire SY4 5AA, England.
 Tel: +44 (0) 1939 235073 Fax: +44 (0) 1939 235074

Email: sales@eurogroup-gb.com OR sales@battery-management-voltage-converter.com
 Web Site: www.eurogroup-gb.com OR www.battery-management-voltage-converter.com

BEFORE INSTALLATION YOU NEED TO PURCHASE:

- 1 X 1A AUTOMOTIVE BLADE FUSE (COLOUR: BLACK)
- 1 X 15A AUTOMOTIVE BLADE FUSE (COLOUR: BLUE)
- 1 X 20A AUTOMOTIVE BLADE FUSE (COLOUR: YELLOW)
- 3 X INLINE FUSE HOLDER (TO TAKE BLADE FUSES)

RECOMMENDED MINIMUM CABLES SIZES:

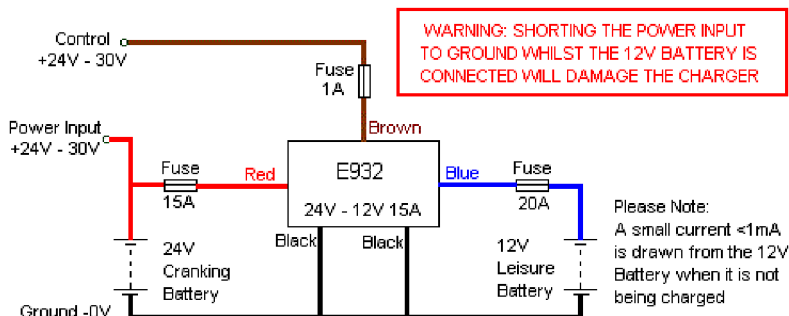
- INPUT (RED): 3mm² CONDUCTOR CROSS SECTION (44/0.3mm)
- OUTPUT (BLUE): 3mm² CONDUCTOR CROSS SECTION (44/0.3mm)
- GROUND (BLACK): 3mm² CONDUCTOR CROSS SECTION (44/0.3mm)
- CONTROL (BROWN): 1.0mm² CONDUCTOR CROSS SECTION (32/0.2mm)

This Battery Charger allows you to charge a 12V Battery from a 24V Battery System.

The Battery Charger can be wired in 2 ways:

Wired as a fully automatic Charger

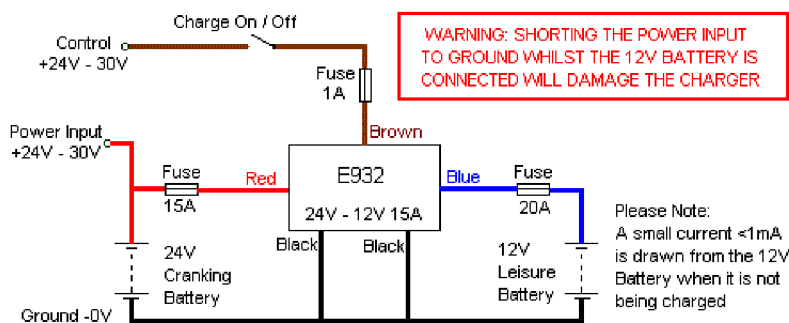
The Brown Control Wire is wired directly to the +ve Connection of the Cranking (Donor) Battery to switch the Charger on and off automatically. In this case the Control Wire senses the Cranking (Donor) Battery Voltage and switches the Charger on only when the Cranking (Donor) Battery is being charged. The Unit automatically controls the maximum charge into the Leisure (Recipient) Battery preventing it from becoming over-charged / damaged and prevents the Cranking Battery (Donor Battery) from becoming flat / exhausted.



Wired as a manually operated Charger

The Brown Control Wire is wired via a Switch to the +ve Connection of the Cranking (Donor) Battery to switch the Charger on and off manually. In this case the Operator can control when the Battery Charger is switched on or off.

If left on, the Unit will automatically control the maximum charge into the Leisure (Recipient) Battery preventing it from becoming over-charged / damaged and prevent the Cranking Battery (Donor Battery) from becoming flat / exhausted.



INSTALLATION INSTRUCTIONS:

1. CONNECT THE BLUE LEAD TO THE +VE CONNECTION OF THE 12V LEISURE / AUXILIARY BATTERY (FITTING 1 X INLINE FUSE HOLDER WITH 20A BLADE FUSE BETWEEN THE 12V BATTERY AND THE BATTERY CHARGER AS SHOWN ON WIRING DIAGRAM SUPPLIED WITH UNIT)
2. CONNECT ONE BLACK LEAD TO THE -VE CONNECTION OF THE 12V BATTERY
3. CONNECT ONE BLACK LEAD TO GROUND, IE: THE VEHICLE CHASSIS OR TO THE -VE CONNECTION OF THE 24V BATTERY
4. CONNECT THE RED LEAD TO THE +VE CONNECTION OF THE 24V CRANKING / DONOR BATTERY (FITTING 1 X INLINE FUSE HOLDER WITH 15A BLADE FUSE BETWEEN THE 24V BATTERY AND THE BATTERY CHARGER AS SHOWN ON WIRING DIAGRAM SUPPLIED WITH UNIT)
5. CONNECT THE BROWN LEAD TO THE +VE CONNECTION OF THE 24V CRANKING / DONOR BATTERY (FITTING 1 X INLINE FUSE HOLDER WITH 1A BLADE FUSE BETWEEN THE 24V BATTERY AND THE BATTERY CHARGER AS SHOWN ON WIRING DIAGRAM SUPPLIED WITH UNIT). THE BROWN LEAD DETECTS THE VOLTAGE OF THE BATTERY AND WHEN THE BATTERY VOLTAGE FALLS TO 25V DC IT WILL AUTOMATICALLY SWITCH THE BATTERY CHARGER OFF UNTIL THE ALTERNATOR HAS REPLENISHED / TOPPED UP THE CRANKING / DONOR BATTERY, AT WHICH POINT THE BATTERY CHARGER WILL BE AUTOMATICALLY SWITCHED BACK ON.

IF IN DOUBT, PLEASE CONSULT AN AUTOMOTIVE ELECTRICIAN OR TELEPHONE US ON 01939 235073

EURO MANUFACTURING AND MARKETING LIMITED

Euro Works, 11-13 High Street, Wem, Shropshire SY4 5AA, England.

Tel: +44 (0) 1939 235073

Fax: +44 (0) 1939 235074

Email: sales@eurogroup-gb.com OR sales@battery-management-voltage-converter.com

Web Site: www.eurogroup-gb.com OR www.battery-management-voltage-converter.com